



A brand of Asco Pompe  
**Diaphragm Pumps**

# Model V6661

1" Aluminum AODD Pump

- \*Same performance as ARO® Pro Series model
- \*Dimensionally interchangeable
- \*Same inlet/outlet as ARO® Pro Series model
- \*Complete parts interchangeability
- \*CE Certified
- \*ATEX Certified



### ARO® to Valisi Part Number Conversion

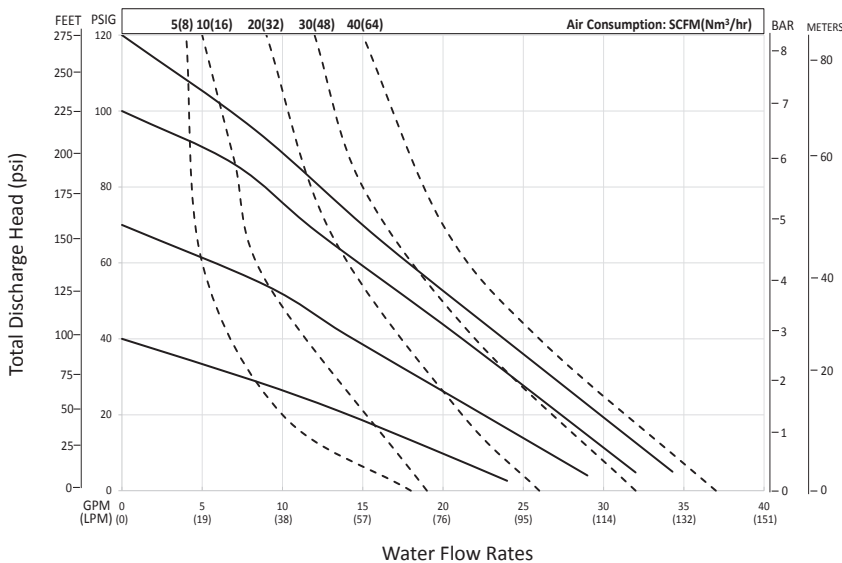
ARO® Part No.	Valisi Part No.	Discharge Type
666100-344C	V666100-344-C	FNPT
666100-3EB-C	V666100-3EB-C	FNPT
666120-344-C	V666120-344-C	FBSP
666120-3EB-C	V666120-3EB-C	FBSP

### Features

- 1 in FNPT or FBSP suction/discharge
- 1/4 in NPT air inlet
- Aluminum construction
- Santoprene® or PTFE balls and diaphragms
- Weight: 19.4 lb (8.8 kg)

Santoprene® is a registered trademark of ExxonMobile Chemical Co.

V6661 Performance



### Capabilities

- **Max Flow:** 35 gpm (133 lpm)
- **Max Air Inlet Pressure:** 120 psi (8.3 bar)
- **Max Working Pressure:** 120 psi (8.3 bar)
- **Max Material Inlet Pressure:** 10 psi (0.69 bar)
- **Max Air Consumption:** 40 SCFM (19 l/sec)
- **Noise Level:** 71 dBA
- **Displacement per stroke:**
  - 0.16 gal (0.6 l) Santoprene®
  - 0.14 gal (0.53 l) PTFE
- **Max Particle Size:** 1/8" (3.2 mm)

Visit us at [www.valisipumps.com](http://www.valisipumps.com) or contact Asco Pompe to be matched with an authorized distributor in your area.

## Part Number Model Codes

V666100-3EB-C, V666100-344-C, V666120-3EB-C, & V666120-344-C

Model	(Air) Motor Body	Fluid Cap & Manifold	Seat Material	Ball Material	Diaphragm Material	
V6661	0	0	3	E	B	C
V6661	0	0	3	4	4	C
V6661	2	0	3	E	B	C
V6661	2	0	3	4	4	C
	(0-Aluminum/FNPT)	(0-Aluminum)	(3-Polypropylene)	(E-Santoprene)	(B-Santoprene)	
	(2-Aluminum/FBSP)			(4-PTFE)	(4-PTFE/Santoprene)	

## Valisi Replacement Parts

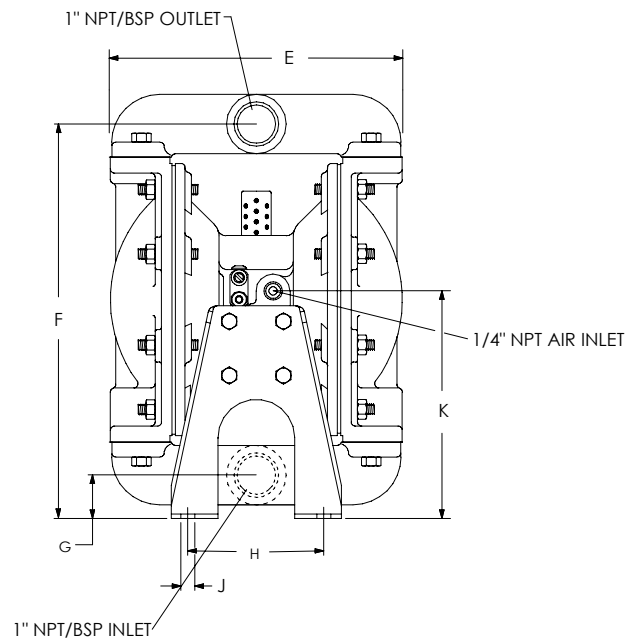
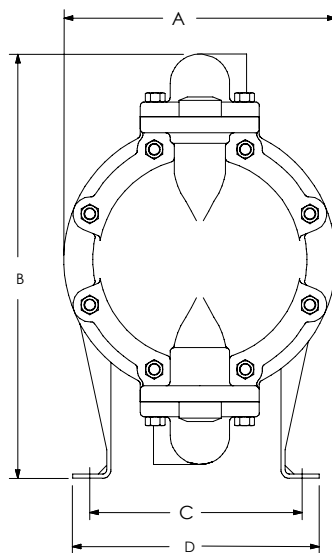
ARO® Part No.	Valisi Part No.	Description
637119-EB-C	V637119-EB-C	Wet End Kit, Santoprene®
637119-44-C	V637119-44-C	Wet End Kit, PTFE
637118-C	V637118-C	Air End Kit

## Temperature Range for Internal Materials

Material	Maximum	Minimum
Polypropylene	175°F (79° C)	35°F (2° C)
Santoprene®	225°F (107° C)	-40°F (-40° C)
PTFE	225°F (107° C)	40°F (4° C)

### V666100 Dimensions

- A - 8.00" (203mm)
- B - 12.50" (318 mm)
- C - 6.25" (159 mm)
- D - 7.31" (186 mm)
- E - 8.56" (217 mm)
- F - 11.56" (294 mm)
- G - 1.25" (32 mm)
- H - 4.00" (102 mm)
- J - 0.41" (10 mm)
- K - 6.50" (165 mm)



**Excellence in Fluid Handling**

ARO® is a registered trademark of Ingersoll-Rand Company. Valisi Pumps, Asco Pompe, and their products are not affiliated with any of the original equipment manufacturers referenced herein. All original equipment manufacturers' names, colors, descriptions, and part numbers are used for identification purposes only.

#### ASCO POMPE SRL

Via Silvio Pellico 6/8 | 20089 ROZZANO (MI) ITALY  
Tel. (+39) 02892571 | Fax (+39) 0289257201  
e-mail: [asco@ascopompe.com](mailto:asco@ascopompe.com)