



- Capacity 10 – 980 l/min
- 3" connections
- Max. sizes solid parts in liquid 9 mm
- Viscosity up to 30 000 cP
- Pump body: Aluminium
- Komaxit coated
- Low air-consumption
- Dry running capability
- Low maintenance and parts costs
- Bolted (SST) leakage free design
- DIN 80 flanged connections
- Santoprene, NBR, PTFE elastomer options

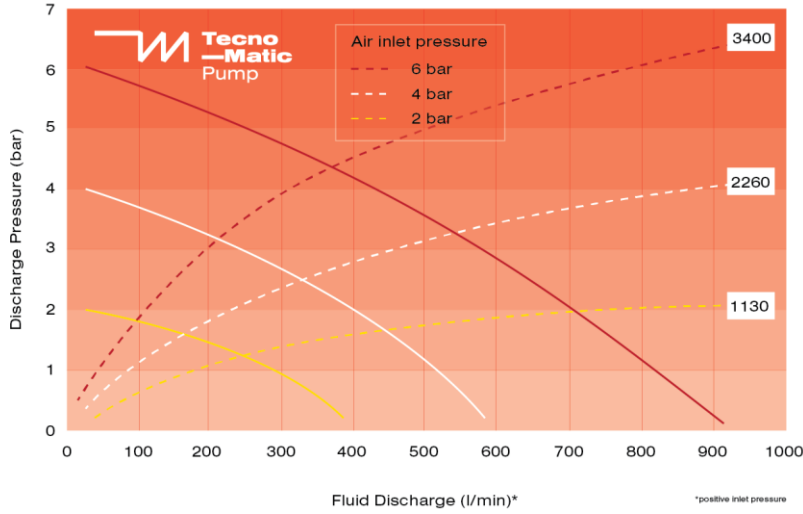


**Each pump tested
Test report included**

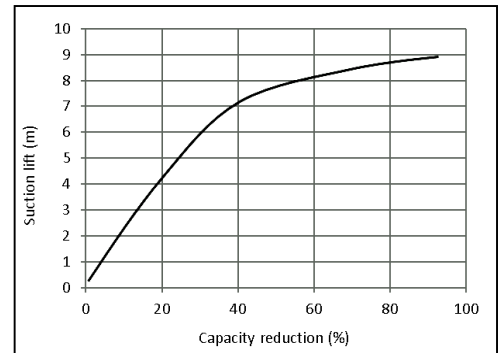
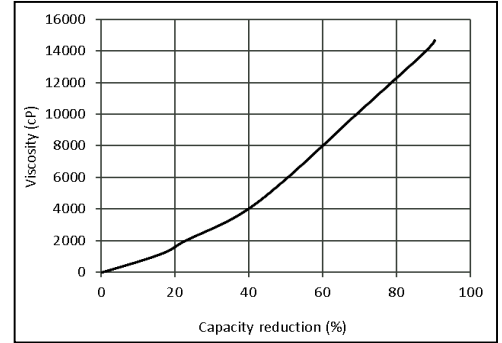
APPLICATIONS

CHEMICALS • SOLVENTS • PLATING • ACIDS • OILS • INKS • GLUES • ALKALIES • ENAMEL
POLYESTER PAINT • WASTE WATER • COOLING LIQUIDS • FOAMS • HYDRAULIC OILS

Flowchart 3" Series



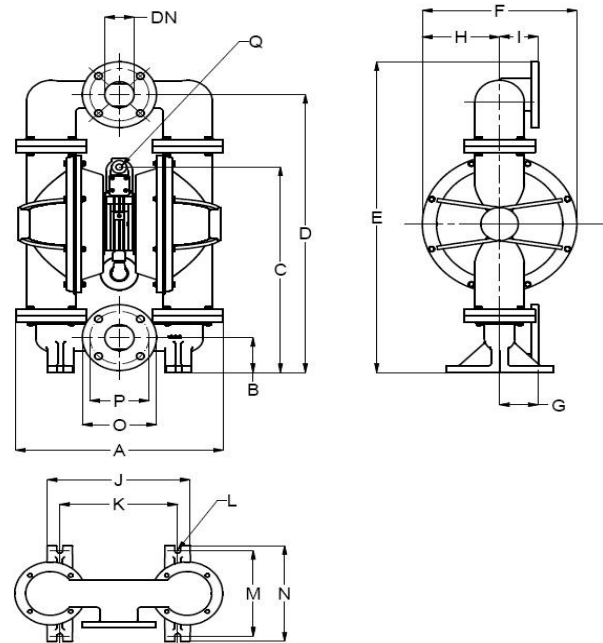
Air Consumption (NI/min)



Available types

Type
TM3-980/3"-A-ST-ST
TM3-980/3"-A-NBR-NBR
TM3-980/3"-A-T-T

Max. weight: 70 Kg



A	538 mm	G	100 mm	M	249 mm
B	102 mm	H	200 mm	N	278 mm
C	600 mm	I	100 mm	Q	½" female
D	811 mm	J	370 mm	O	192 mm
E	907 mm	K	305 mm	P	153 mm
F	400 mm	L	15 mm	DN	76 mm