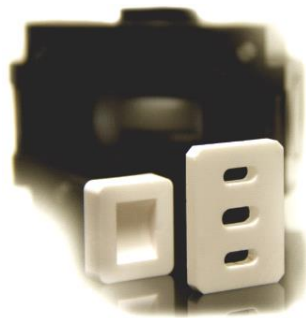


- Capacity 5 – 130 l/min
- 1" connection in several positions
- Standard equipped with Santoprene
- Ceramic air-valve system
- Max. sizes solid parts in liquid 3 mm
- Viscosity up to 30 000 cP
- Low noise (77 dBa)
- Pump body: Aluminium
- Low air-consumption !
- Dry running capability
- Low maintenance and parts costs
- Bolted (SST) leakage free design
- No Air leakage at liquid stop



**Each pump tested
Test report included**

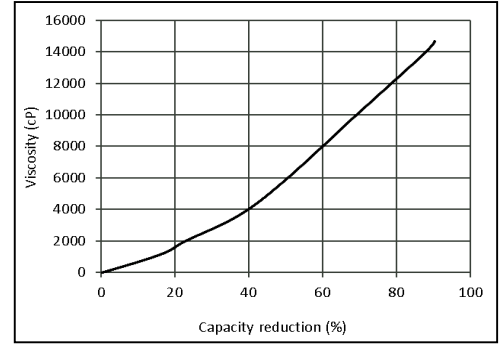
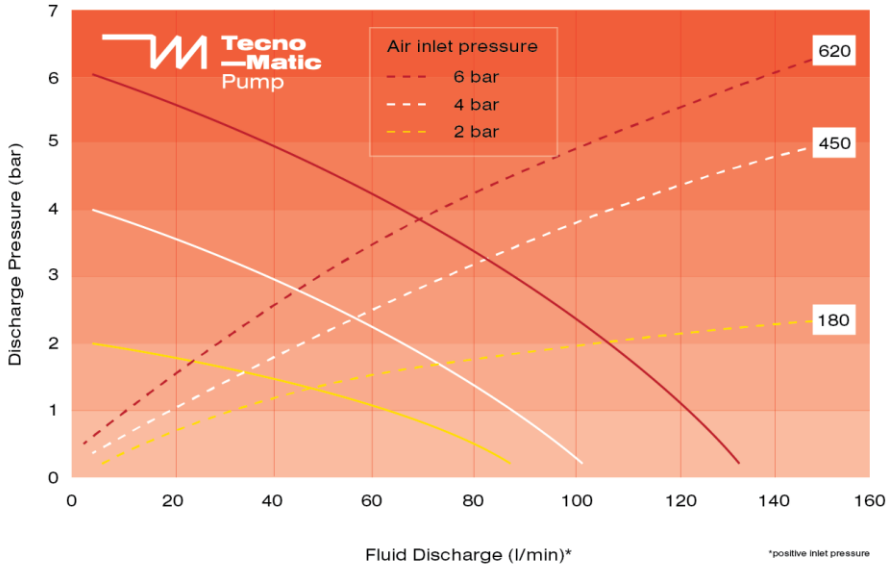


Maintenance Free
Ceramic Air-Valve Parts

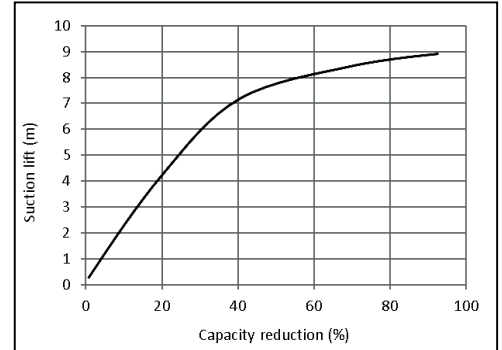
APPLICATIONS

CHEMICALS • SOLVENTS • PLATING • ACIDS • OILS • INKS • GLUES • ALKALIES • ENAMEL
POLYESTER PAINT • WASTE WATER • COOLING LIQUIDS • FOAMS • HYDRAULIC OILS

Flowchart 1" Series



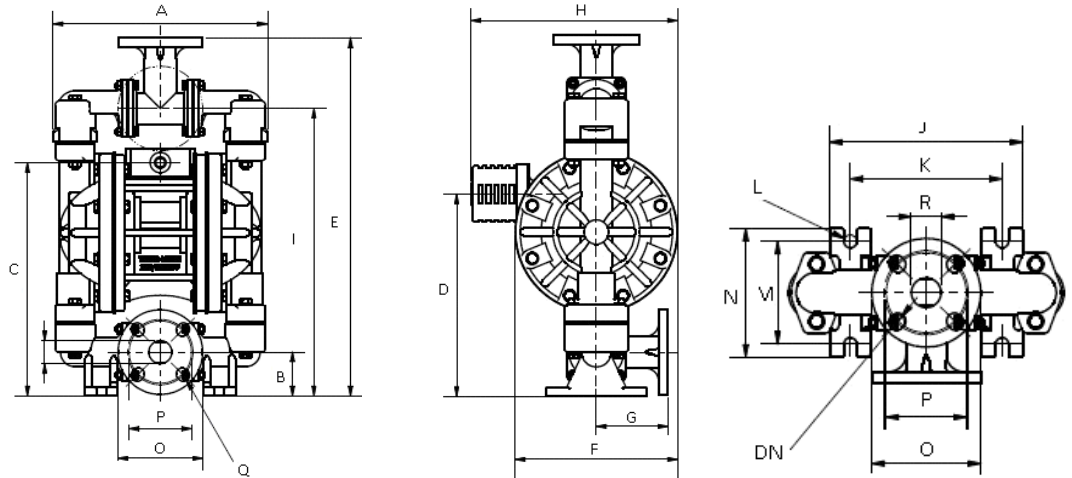
Air Consumption (NI/min)



Available types

Type
TM3-130/1"-A-ST-ST
TM3-130/1"-A-NBR-NBR
TM3-130/1"-A-T-T

Max. weight: 9 Kg



A	305 mm	G	44 mm	M	102
B	32 mm	H	61 mm	N	127
C	313 mm	I	44 mm	O	46
D	359 mm	J	267 mm	P	1" female
E	382 mm	K	219 mm		
F	209 mm	L	13 mm		