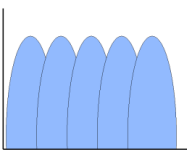


- Capacity 1 – 30 l/min
- 1/2" connections
- Equipped with PEEK flap-valves
- Full machined Alu / PP / HDPE / SST pump bodies
- Standard PTFE / NBR backup Diaphragms
- Significantly reduced pulsations
- High speed air-valve
- Dry suction (-0,22 bar)
- Max. sizes of solid parts in liquid 3 mm
- Low noise (65 dBA) & low vibration
- Only few liquid wetted parts
- Viscosity up to 35 000 cP
- Epoxy coated aluminium parts
- Up to 20 % lower air-consumption
- Very compact design
- ATEX version up on request
- Operating in each position
- Dry running capability
- Low maintenance costs

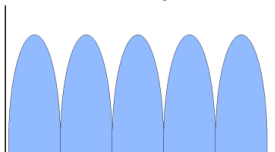
## Pulsation

TM1 Pumps



High stroke frequency,  
means low liquid pulsation

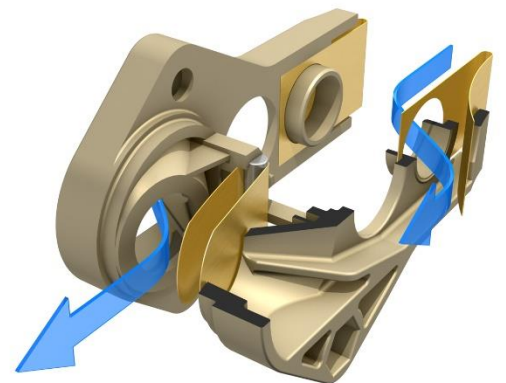
AODD Pumps



Low stroke frequency,  
means high liquid pulsation



**ATEX Version up on request**  
**Each pump tested**

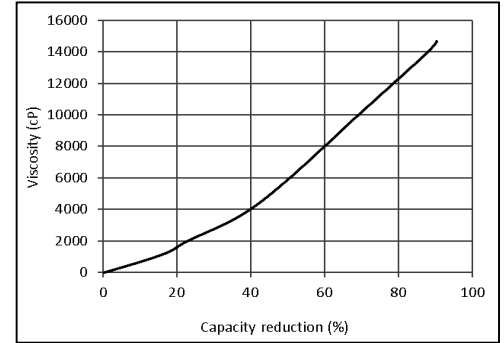
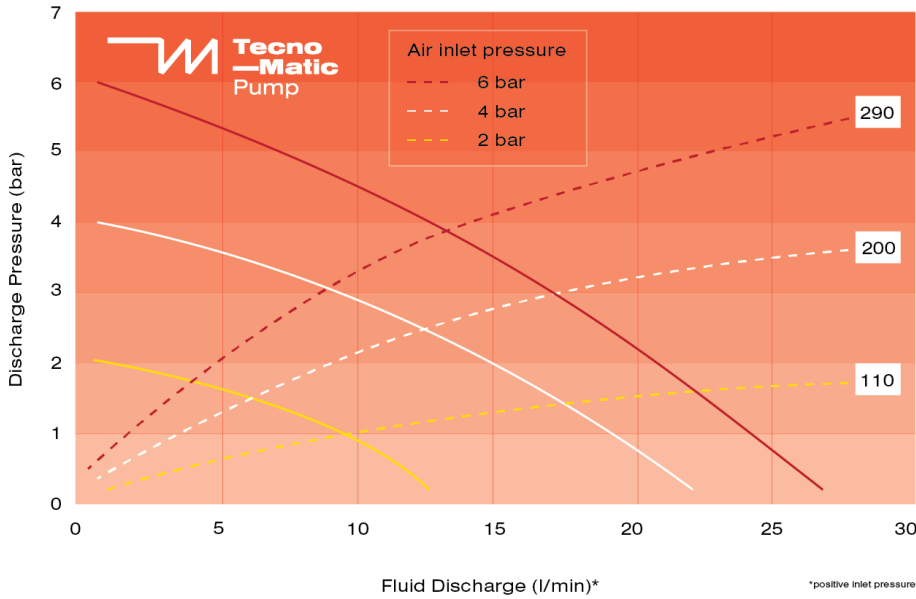


Equipped with  
PEEK flat-valve technology,  
means high stroke frequency

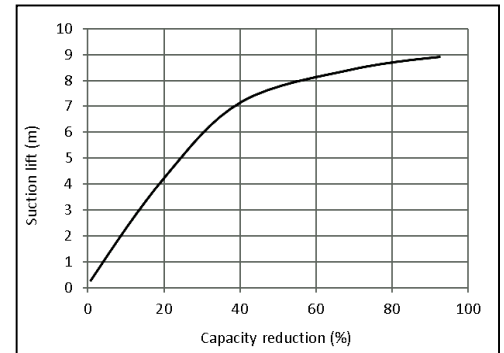
## APPLICATIONS

CHEMICALS • SOLVENTS • PLATING • ACIDS • OILS • INKS • GLUES • ALKALIES • ENAMEL  
POLYESTER PAINT • WASTE WATER • COOLING LIQUIDS • FOAMS • HYDRAULIC OILS

### Flowchart 1/2" Series



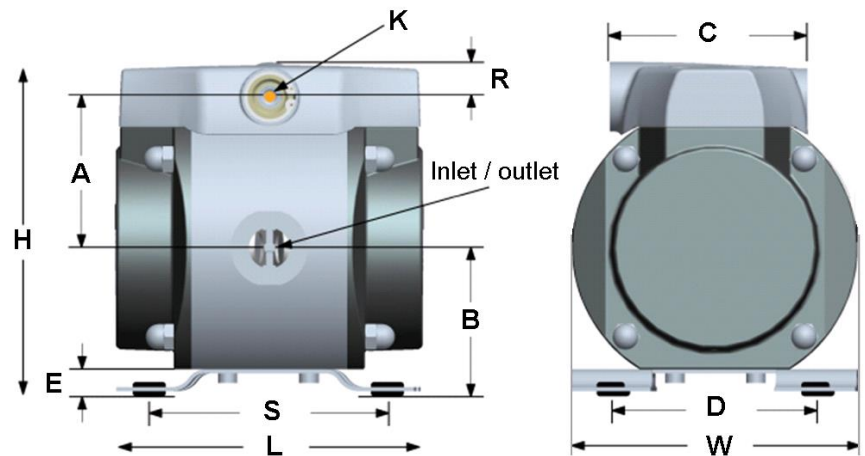
Air Consumption (Nl/min)



### Available types

Types
TM1-30/0.5"-A-T-PK
TM1-30/0.5"-HDPE-T-PK
TM1-30/0.5"-HDPE-T-PK-ZK
TM1-30/0.5"-P-T-PK
TM1-30/0.5"-P-T-PK-ZK
TM1-30/0.5"-S-T-PK
TM1-30/0.5"-S-T-PK-ZK

Max. weight: 7 Kg



<b>A</b>	65 mm	<b>K</b>	12 mm
<b>B</b>	65 mm	<b>L</b>	145 mm
<b>C</b>	100 mm	<b>R</b>	15 mm
<b>D</b>	100 mm	<b>S</b>	120 mm
<b>E</b>	15 mm	<b>W</b>	140 mm
<b>H</b>	145 mm	<b>in-outlet</b>	1/2"