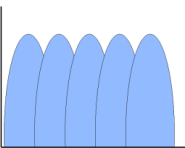


- Capacity 1 – 15 l/min
- 1/4" connections
- Equipped with PEEK flap-valves
- Full machined Alu / PP / HDPE / SST pump bodies
- Standard PTFE / NBR backup Diaphragms
- Significantly reduced pulsations
- High speed air-valve
- Dry suction (-0,12 bar)
- Max. sizes of solid parts in liquid 3 mm
- Low noise (65 dBA) & low vibration
- Only few liquid wetted parts
- Viscosity up to 35 000 cP
- Epoxy coated aluminium parts
- Up to 20 % lower air-consumption
- Very compact design
- ATEX version up on request
- Operating in each position
- Dry running capability
- Low maintenance costs

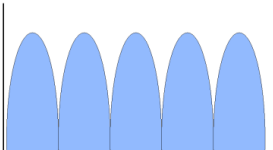
Pulsation

TM1 Pumps



High stroke frequency,
means low liquid pulsation

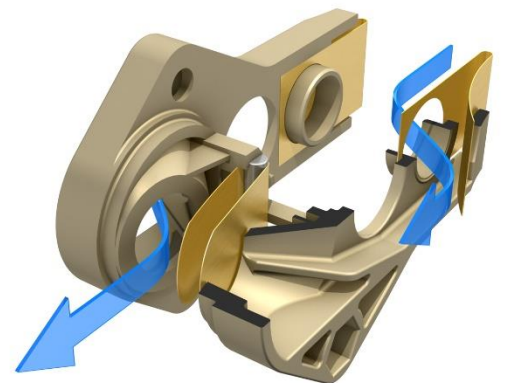
AODD Pumps



Low stroke frequency,
means high liquid pulsation



ATEX Version up on request
Each pump tested

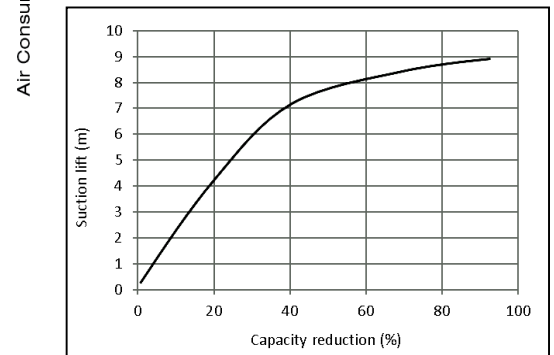
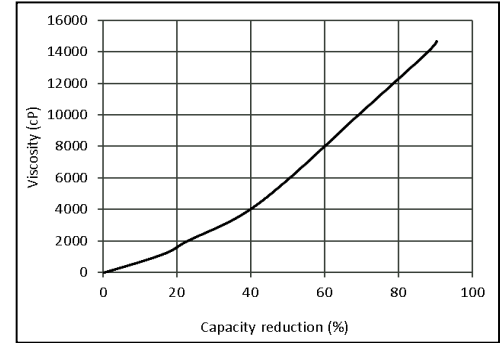
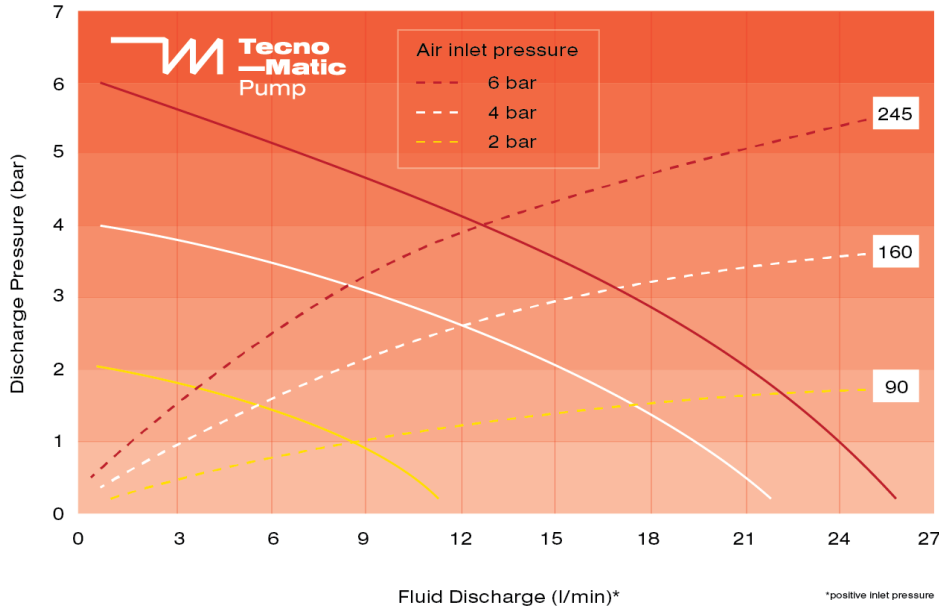


Equipped with
PEEK flat-valve technology,
means high stroke frequency

APPLICATIONS

CHEMICALS • SOLVENTS • PLATING • ACIDS • OILS • INKS • GLUES • ALKALIES • ENAMEL
POLYESTER PAINT • WASTE WATER • COOLING LIQUIDS • FOAMS • HYDRAULIC OILS

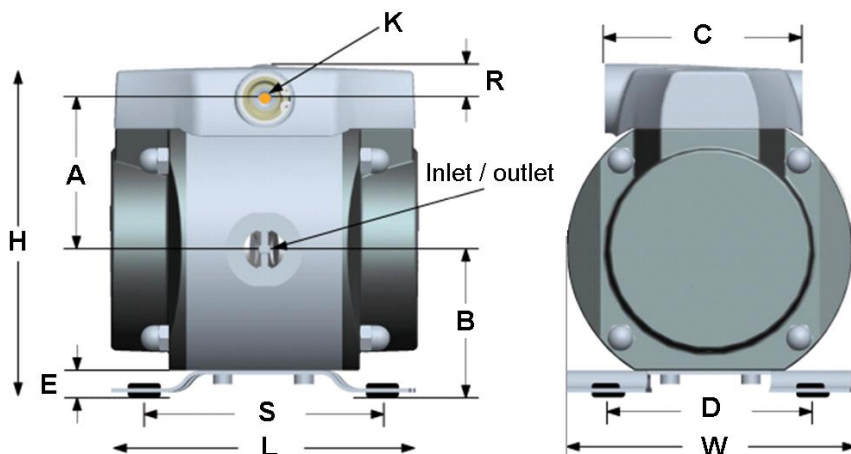
Flowchart 1/2" Series



Available types

Types
TM1-15/0.25"-A-T-PK
TM1-15/0.25"-P-T-PK
TM1-15/0.25"-P-T-PK-ZX

Max. weight: 3 Kg



A	65 mm	K	12 mm
B	65 mm	L	145 mm
C	100 mm	R	15 mm
D	100 mm	S	120 mm
E	15 mm	W	140 mm
H	145 mm	in-outlet	1/4"