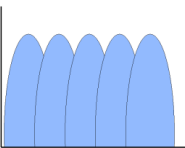


- Capacity 5 – 120 l/min
- 1/4" connections
- Equipped with PEEK flap-valves
- Full machined Alu / PP / HDPE / SST pump bodies
- Standard PTFE / NBR backup Diaphragms
- Significantly reduced pulsations
- High speed air-valve
- Dry suction (-0,2 bar)
- Max. sizes solid parts in liquid 5 mm
- Low noise (68 dBA) & vibration
- Only few liquid wetted parts
- Viscosity up to 35 000 cP
- Epoxy coated aluminium parts
- Up to 20 % lower air-consumption
- Very compact design
- ATEX version up on request
- Operating in each position
- Dry running capability
- Low maintenance costs

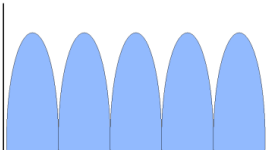
### Pulsation

TM1 Pumps



High stroke frequency,  
means low liquid pulsation

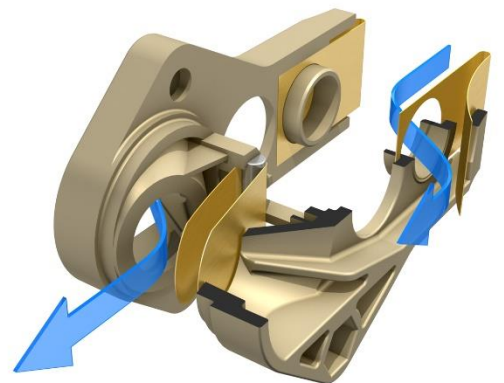
AODD Pumps



Low stroke frequency,  
means high liquid pulsation



**ATEX Version up on request**  
**Each pump tested**

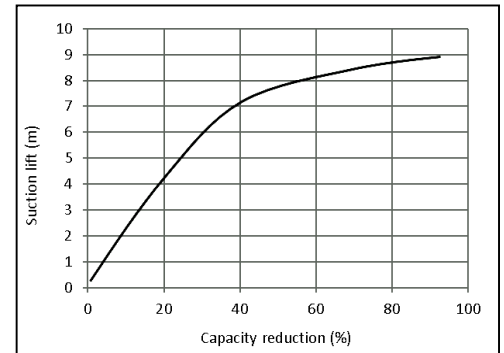
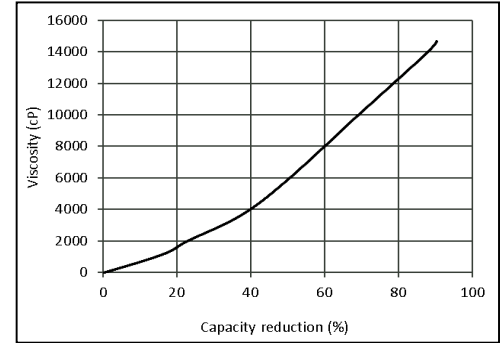
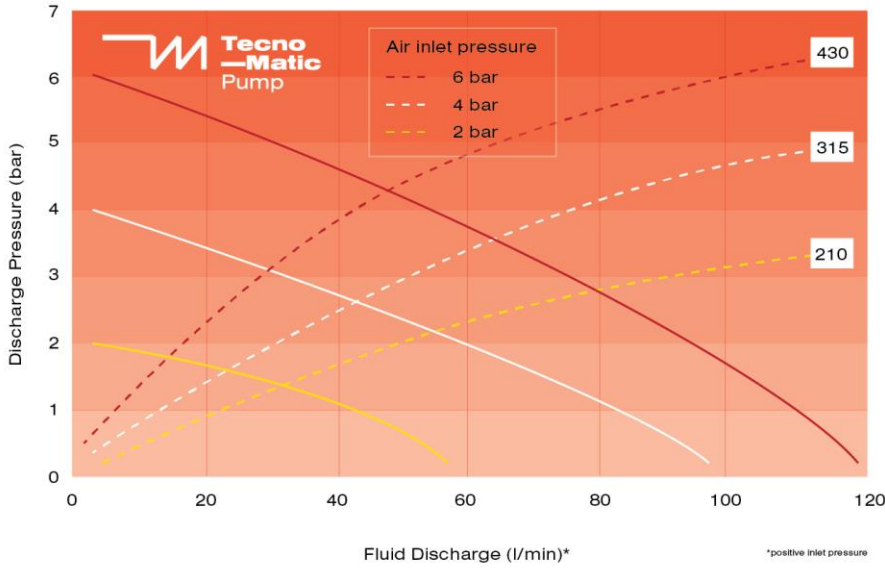


Equipped with  
PEEK flat-valve technology,  
means high stroke frequency

### APPLICATIONS

CHEMICALS • SOLVENTS • PLATING • ACIDS • OILS • INKS • GLUES • ALKALIES • ENAMEL  
POLYESTER PAINT • WASTE WATER • COOLING LIQUIDS • FOAMS • HYDRAULIC OILS

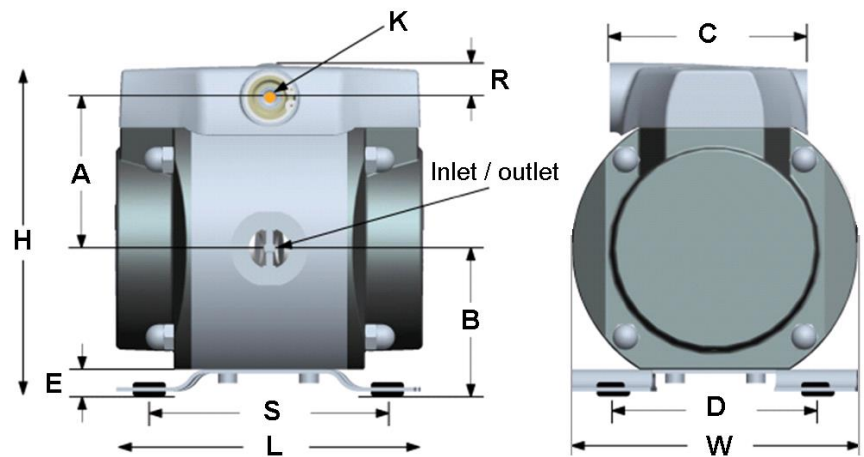
### Flowchart 1 1/4" Series



### Available types

Type
TM1-120/1.25"-A-T-PK
TM1-120/1.25"-HDPE-T-PK
TM1-120/1.25"-HDPE-T-PK-ZX
TM1-120/1.25"-P-T-PK
TM1-120/1.25"-P-T-PK-ZX
TM1-120/1.25"-S-T-PK
TM1-120/1.25"-S-T-PK-ZX

Max. weight: 17 Kg



<b>A</b>	100 mm	<b>K</b>	12 mm
<b>B</b>	100 mm	<b>L</b>	180 mm
<b>C</b>	100 mm	<b>R</b>	15 mm
<b>D</b>	135 mm	<b>S</b>	150 mm
<b>E</b>	15 mm	<b>W</b>	185 mm
<b>H</b>	210 mm	<b>in-outlet</b>	1-1/4"